

LIVIA 180

DOWNLIGHT



LED ceiling surface downlight with no visible screws, suitable for outdoor and indoor installations. Made of shockproof resin material, UV-rays stabilized, rust and corrosion-free. Supplied with TÜV-CB certified, long-life, efficient **E27 high power LED lamps included**. Insulation class II, protection rating IP44.



Lampada a soffitto senza viti a vista adatta sia ad uso esterno che interno. Realizzata in resina antiurto, stabilizzata ai raggi UV, inattaccabile da ruggine e corrosione. Completa di lampadine a LED E27 ad ALTA POTENZA, certificate TÜV-CB, di lunga durata ed elevata efficienza. Classe di isolamento II, grado di protezione IP44.



4A9.000.Q1L

E27 HIGH POWER LED

INDOOR & OUTDOOR USE

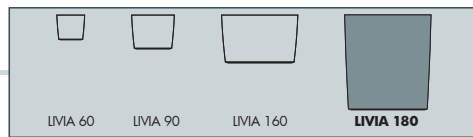
+80°C
-30°

90% HUMIDITY

VOLTAGE SURGE RESISTANT

DRIVER SILICONE PROTECTION





LIVIA 180 - COMPONENTS

IP44



BASE made of shockproof resin material suitable for the electrical devices fixation and provided complete with E27 lampholder. Designed to allow a correct heat dissipation.

BASE in resina antiurto predisposta per il fissaggio degli accessori elettrici e fornita completa di portalamпада E27. Progettato per permettere una corretta dissipazione del calore.

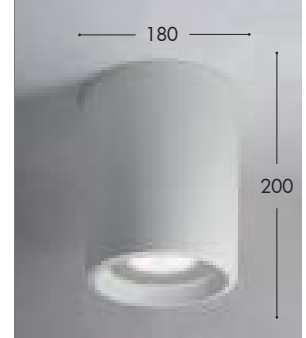
DIFFUSER with frosted finishing made of shockproof resin material (PC).

DIFFUSORE satinato in resina antiurto (PC).

COVER made of shockproof resin material, UV-rays stabilized, rust and corrosion-free. Quick and easy locking system to the base without screws.

COVER realizzata in resina antiurto, stabilizzata ai raggi UV, inattaccabile da ruggine e corrosione. Sistema di aggancio alla base facile e veloce senza l'ausilio di viti.

LIVIA 180



Dimensions and weight

Diameter: Ø180 mm
Height: 200 mm
Weight: 1,10 Kg

Moulded colours:

Black White Grey

Diffuser PC:

Frosted

E27 HIGH POWER LED

100 - 240 V

*ADD. SUFFIX



	15 W	1800 Lm	4000 K	.R1L
E27			3000 K	.R1R
E27	30 W	3500 Lm	4000 K	.Q1L
E27			3000 K	.Q1R

Ceiling surface downlight supplied with TÜV certified, long-life, efficient and E27 high power LED lamp included. Different wattages available. Quick and easy lamp replacement for a very simple maintenance after installation.

- **COST SAVING:** long-life and efficient LED light sources
- **BUILT-IN DRIVER:** quick and easy lamp replacement
- **GREAT FLEXIBILITY:** E27 standard lamp holder
- **FUTURE-PROOFED LUMINARIES:** performances easy to upgrade to latest technology developments
- **SUITABLE FOR OUTDOOR USE:** built-in driver fully protected against heat and humidity by silicone paste.

15W 1500 Lm = 100W incandescent
SAVE 85%

30W 3300 Lm = 50W HQI-SON
SAVE 40%

LED LAMPS



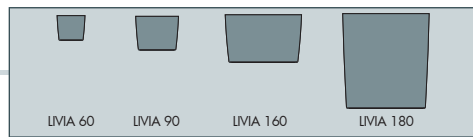
Technical details on page 552.

* ADD THESE SUFFIXES TO THE REFERENCES MENTIONED IN THE CATALOGUE

LIVIA RANGE

DOWNLIGHT





LIVIA 60		
1A9.000.Z1L	1,7W	1A9.000.Z1R
4000K	G9 LED LAMP INCLUDED	3000K

Pcs 50
Kg 13,1
mc 0,057

LIVIA 90	
3.5 W	2A9.000.U1K
6 W	2A9.000.L1K

CCT SETTABLE GU10 LED LAMP INCLUDED
2700K/4000K

Pcs 30
Kg 12,6
mc 0,09

LIVIA 160	
3W	3A9.000.G1K
7W	3A9.000.C1K
10W	3A9.000.D1K

CCT SETTABLE GX53 LED LAMP INCLUDED
3000K/4000K/6500K

Pcs 18
Kg 15,3
mc 0,092

LIVIA 180		
4A9.000.R1L	15W	4A9.000.R1R
4A9.000.Q1L	30W	4A9.000.Q1R

4000K E27 HIGHPOWER LED LAMP INCLUDED 3000K

Pcs 12
Kg 22,5
mc 0,147