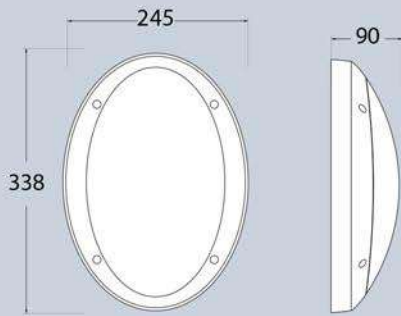


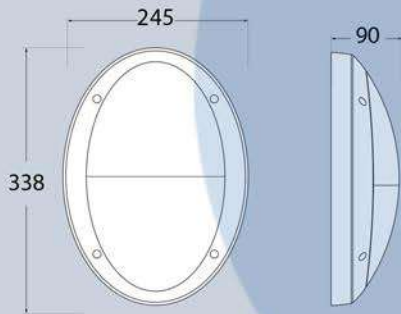
**DANZI**  
1D3.000

Pcs 16  
Kg 18  
mc 0,194



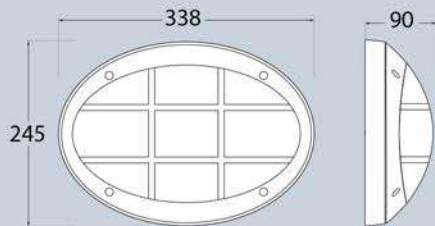
**DANZI-VE**  
2D3.000

Pcs 16  
Kg 18  
mc 0,194



**DANZI-GR**  
3D3.000

Pcs 16  
Kg 18  
mc 0,194




**DANZI - COMPONENTS**

IP66



**COVER** made of shockproof resin material, UV-rays stabilized. Ring, eyelid and grid versions available.

*COVER in resina antiurto stabilizzata ai raggi UV, disponibile nella versione ad anello, a palpebra e a griglia.*

**Opal DIFFUSER** made of UV-rays stabilized polymethylmethacrylate (PMMA), with silicone rubber gasket to ensure high protection against external agents.

*DIFFUSORE opale realizzato in polimetilmetacrilato (PMMA) stabilizzato ai raggi UV. Completo di guarnizione in gomma siliconica per garantire un alto livello di protezione contro gli agenti esterni.*

**BASE** made of shockproof resin material, UV-rays stabilized, suitable for the electrical devices fixation. Provided with E27 or GX53 lampholder.

*BASE realizzata in resina antiurto, stabilizzata ai raggi UV, adatta ad alloggiare gli accessori elettrici. Fornita completa di portalamпада E27 o GX53.*

**DANZI**



**Dimensions and weight**

Width: 245 mm  
Height: 338 mm  
Depth: 90 mm  
Weight: 1 Kg

**Moulded colours:**

Black  White  Grey

**Diffuser PMMA:**

Opal

**GX53 LED**

FULLY PRE-WIRED



Bulkhead supplied **fully pre-wired** and complete with TÜV approved, long-life and efficient **GX53 LED** lamp in different wattages.

- **BUILT-IN DRIVER:** Quick and easy lamp replacement for a very simple maintenance after installation.
- **SUITABLE FOR OUTDOOR USE:** built-in driver fully protected against heat and humidity by silicone paste.

\*ADD. SUFFIX

	11 W	1300 Lm	4000 K	.B1L
			3000 K	.B1R
	18 W	2000 Lm	4000 K	.E1L
			3000 K	.E1R



11W  
18W = 100W  
150W  
incandescent

**SAVE 90%**



**E27**

FULLY PRE-WIRED



Bulkhead supplied **fully pre-wired** with E27 lampholder and complete with highly heat resistant reflective plate made of white shockproof resin material, UV-rays stabilized.

\*ADD. SUFFIX

<b>E27</b> (CFL -LED)	max 180 mm	.E27
--------------------------	------------	------

**LED LAMPS**



More technical details about TÜV approved Fumagalli LED Lamps on page 468.

\* ADD THESE SUFFIXES TO THE REFERENCES MENTIONED IN THE CATALOGUE