

PHILIPS

Lighting



Essential SmartBright LED Downlight

DN027B G3 LED12/CW 12W 220-240V L150 RU

Essential SmartBright G2 LED Downlight is value for money product with high efficacy, good quality and reliability. It offers multiple configurations from 300lm to 2000lm output, to replace conventional downlight. It can be used for shopping mall, retail store, residential and office. It's an ideal product family to distribute in trade market.

Product data

General information	
Light source color	865 cool daylight
Light source replaceable	No
Number of gear units	1 unit
Driver/power unit/transformer	Power supply unit
Driver included	Yes
Optic type	Beam angle 110°
Luminaire light beam spread	110°
Cable	Cable 0.2 m without plug
Protection class IEC	Safety class II
Glow-wire test	Temperature 650 °C, duration 30 s
Flammability mark	For mounting on normally flammable surfaces
Warranty period	3 years
Constant light output	No
Number of products on MCB of 16 A type B	74
EU RoHS compliant	Yes

Light technical	
Color Rendering Index (Nom)	80
Operating and electrical	
Input Voltage	220 to 240 V
Input Frequency	50 or 60 Hz
Inrush current	3.85 A
Inrush time	0.101 ms
Power Factor (Min)	0.9
Controls and dimming	
Dimmable	No
Mechanical and housing	
Housing Material	Metal-Plastic
Reflector material	-
Optic material	Polycarbonate
Optical cover/lens material	Polycarbonate
Fixation material	Steel



Essential SmartBright LED Downlight

Overall length	175 mm
Overall width	175 mm
Overall height	45 mm
Color	White
Dimensions (Height x Width x Depth)	45 x 175 x 175 mm

Approval and application

Ingress protection code	IP20(front IP40)
Mech. impact protection code	IK03 [0.3 J]

Initial performance (IEC compliant)

Initial luminous flux (system flux)	1300 lm
Luminous flux tolerance	+/-10%
Initial LED luminaire efficacy	108.00 lm/W
Init. Corr. Color Temperature	6500 K
Init. Color Rendering Index	80
Initial chromaticity	(IEC6500K, 0.313, 0.337) < 5SDCM
Initial input power	12 W
Power consumption tolerance	+/-10%

Over time performance (IEC compliant)

Driver failure rate at 5000 h	0.012 %
-------------------------------	---------

Median useful life L70B50	30000 h
---------------------------	---------

Application conditions

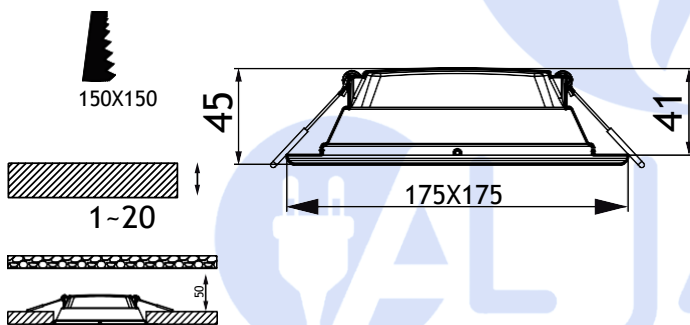
Ambient temperature range	-20 to +40 °C
Suitable for random switching	No

Product data

Full product code	871951435163900
Order product name	DN027B G3 LED12/CW 12W 220-240V L150 RU
EAN/UPC - Product	8719514351639
Order code	929002675602
Numerator - Quantity Per Pack	1
Numerator - Packs per outer box	24
Material Nr. (12NC)	929002675602
Net Weight (Piece)	0.230 kg



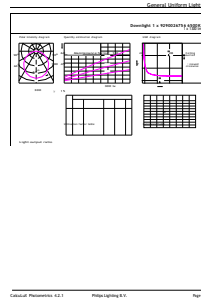
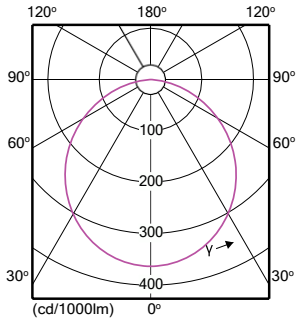
Dimensional drawing



DN027B G3 LED12/CW 12W 220-240V L150 RU

Essential SmartBright LED Downlight

Photometric data



Downlight_DN027B_G3_LED12_CW_12W_L50_SQ-LDD

Downlight_DN027B_G3_LED12_CW_12W_L50_SQ-GUL



Essential SmartBright LED Downlight

www.lighting.philips.com

2022, August 5 - data subject to change

