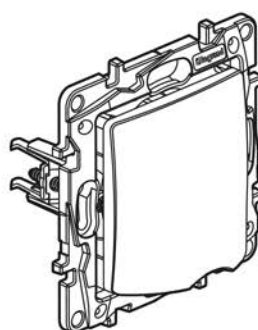


7 645 45



7 645 46

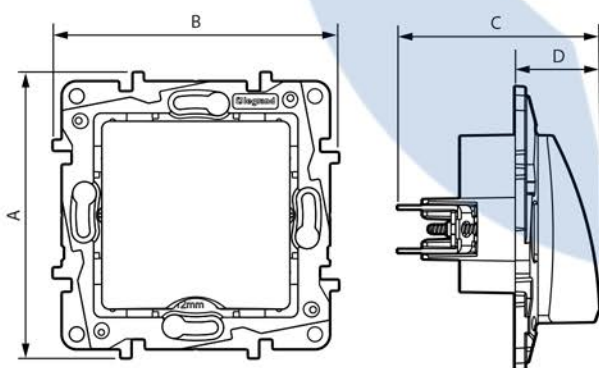
## 1. USE

The mechanisms are supplied with cover plates and support frames.  
Flush-mounting or surface-mounting.  
Fixing with screws and or with claws.

## 2. RANGE

Designation	White	Ivory	Brown
Blanking adaptor, accept 2-module mechanisms (except special surface-mounting type). To be equipped with plate.	7 645 45	7 646 45	7 647 45
Associated cable outlet, equipped with cable grips. Maximum diameter of the cable: 12 mm To be equipped with plate.	7 645 46	7 646 46	7 647 46

## 3. DIMENSIONS (mm)



References	A	B	C	D
7 645 45 - 7 646 45 - 7 647 45	76	76	43	12
7 645 46 - 7 646 46 - 7 647 46	76	76	54	23

## 4. CONNECTION

Type of terminals: automatics  
Terminals capacity: 2 x 2.5 mm<sup>2</sup>  
Stripping length: 13 mm  
Compatible flexible or rigid cables

## 5. TECHNICAL CHARACTERISTICS

### ■ 5.1 Mechanical characteristics

Protection against solide bodies and liquids: IP 20  
Protection against impacts: IK 02

### ■ 5.2 Material characteristics

Polyglass appearance

Colour: - White RAL 9003

- Ivory RAL 1013

- Brown RAL 8017

Material: - Cover plate: painted PC

- Halogen-free

- UV resistant

Material of the support: - PC grey RAL 7037 + 10 % glass fiber

- Halogen free

Self-extinguishing:

+ 850° C / 30 s for insulating parts holding live parts in place

+ 650° C / 30 s for other parts made of insulating materials

### ■ 5.3 Electrical characteristics

Voltage: 250 V~

Current: 16 A

Frequency: 50/60 Hz

### ■ 5.4 Climatic characteristics

Storage temperature: - 10° C to + 70° C

Use temperature: - 5° C to + 35° C

## 6. CLEANING

Surface cleaning with a cloth.

Do not use: acetone, tar remover, trichloroethylene.

Resistance to the cleaning agents: Hexane (NF C 61-314), Methylated spirit, Soapy water, Diluted ammonia, Diluted pure bleach 10%, Glass cleaning substances, Pre-impregnated wipes.

**Caution:** A preliminary test should be carried out if other specific cleaning products are to be used.

## 7. STANDARDS AND APPROVALS

Conforme aux normes d'installation et de fabrication.  
Voir e. catalogue.