

# Essential Smartbright LED

## Application Conditions

Ambient temperature range -40 to +45 °C

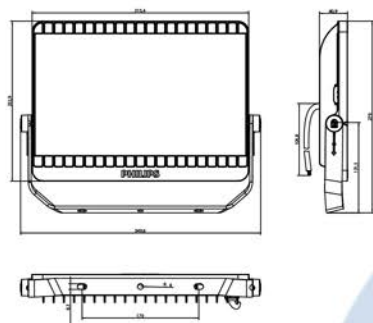
## Product Data

Full product code 871016330444199  
Order product name BVP161 LED60/NW 70W 220-240V WB GREY  
EAN/UPC - Product 8710163304441  
Order code 911401809298

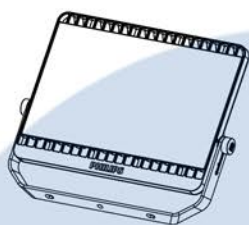
Numerator - Quantity Per Pack 1  
Numerator - Packs per outer box 6  
Material Nr. (12NC) 911401809298  
Net Weight (Piece) 2.000 kg



## Dimensional drawing



BVP150/161 Essential Smartbright LED



# PHILIPS

## Lighting



# Essential Smartbright LED

## BVP161 LED60/NW 70W 220-240V WB GREY

Philips Essential SmartBright LED Floodlight not only ensures savings on initial capital, but also delivers reliable operational savings.

### Product data

General Information		Optical cover/lens material	
Light source color	740 neutral white	Optical cover/lens material	Polycarbonate
Driver included	Yes	Overall length	315,5 mm
Optical cover/lens type	Micro-lens optic in polycarbonate cover, wide	Overall width	233,5 mm
Control interface	-	Overall height	41 mm
Connection	Flying leads/wires	Color	Gray
Cable	Cable 0.3 m without plug	<b>Approval and Application</b>	
Protection class IEC	Safety class I	Ingress protection code	IP65 [ Dust penetration-protected, jet-proof]
CE mark	CE mark	Mech. impact protection code	IK07 [ 2 J reinforced]
Spare parts available	No	<b>Initial Performance (IEC Compliant)</b>	
<b>Operating and Electrical</b>		Initial luminous flux (system flux)	6000 lm
Input Voltage	220-240 V	Luminous flux tolerance	+/-10%
Input Frequency	50 to 60 Hz	Initial LED luminaire efficacy	85.71 lm/W
Power Factor (Min)	0.9	Init. Corr. Color Temperature	4000 K
<b>Controls and Dimming</b>		Init. Color Rendering Index	>70
Dimmable	No	Initial input power	70 W
<b>Mechanical and Housing</b>		Power consumption tolerance	+/-10%
Housing Material	Aluminum die cast	<b>Over Time Performance (IEC Compliant)</b>	
Optic material	Polycarbonate	Median useful life L70B50	30000 h