

PHILIPS

Lighting



Essential Smartbright LED

BVP161 LED60/CW 70W 220-240V WB GREY

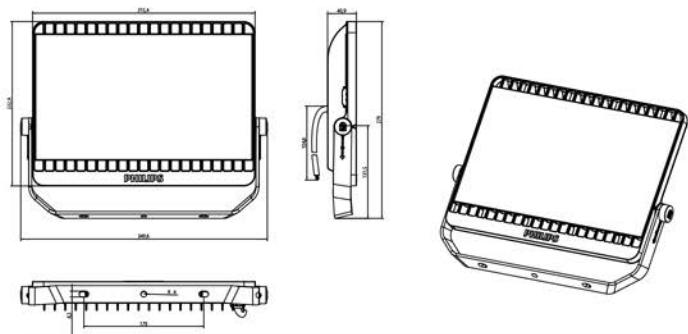
Philips Essential SmartBright LED Floodlight not only ensures savings on initial capital, but also delivers reliable operational savings.

Product data

General Information		Over Time Performance (IEC Compliant)	
Driver included	Yes	Median useful life L70B50	30000 h
Protection class IEC	Safety class I	Application Conditions	
CE mark	CE mark	Ambient temperature range	-40 to +45 °C
Spare parts available	No	Average ambient temperature	35 °C
Operating and Electrical		Product Data	
Input Voltage	220-240 V	Full product code	871016330445899
Input Frequency	50 to 60 Hz	Order product name	BVP161 LED60/CW 70W 220-240V WB GREY
Mechanical and Housing		EAN/UPC - Product	8710163304458
Housing Material	Aluminum die-cast	Order code	911401809398
Optic material	Polycarbonate	Numerator - Quantity Per Pack	1
Optical cover/lens material	Polycarbonate	Numerator - Packs per outer box	6
Overall length	315.5 mm	Material Nr. (12NC)	911401809398
Overall width	233.5 mm	Net Weight (Piece)	2.000 kg
Overall height	41 mm	Approval and Application	
Approval and Application		Ingress protection code	IP65 [Dust penetration-protected, jet-proof]
Mech. impact protection code	IK07 [2 J reinforced]	IP65 IK07	

Essential Smartbright LED

Dimensional drawing



BVP161 Essential Smartbright LED

