

PHILIPS

Lighting



Essential Smartbright LED

BVP161 LED43/NW 50W 220-240V WB GREY

Philips Essential SmartBright LED Floodlight not only ensures savings on initial capital, but also delivers reliable operational savings.

Product data

General Information		Optical cover/lens material		Polycarbonate	
Light source color	740 neutral white	Overall length	269.5 mm		
Driver included	Yes	Overall width	201.5 mm		
Optical cover/lens type	Micro-lens optic in polycarbonate cover, wide	Overall height	37.8 mm		
Control interface	-	Color	Gray		
Connection	Flying leads/wires	Approval and Application			
Cable	Cable 0.3 m without plug	Ingress protection code	IP65 [Dust penetration-protected, jet-proof]		
Protection class IEC	Safety class I	Mech. impact protection code	IK07 [2 J reinforced]		
CE mark	CE mark	Initial Performance (IEC Compliant)			
Spare parts available	No	Initial luminous flux (system flux)	4300 lm		
Operating and Electrical		Luminous flux tolerance	+/-10%		
Input Voltage	220-240 V	Initial LED luminaire efficacy	86 lm/W		
Input Frequency	50 to 60 Hz	Init. Corr. Color Temperature	4000 K		
Power Factor (Min)	0.9	Init. Color Rendering Index	>70		
Controls and Dimming		Initial input power	50 W		
Dimmable	No	Power consumption tolerance	+/-10%		
Mechanical and Housing		Over Time Performance (IEC Compliant)			
Housing Material	Aluminum die cast	Median useful life L70B50	30000 h		
Optic material	Polycarbonate				

Essential Smartbright LED

Application Conditions

Ambient temperature range -40 to +45 °C

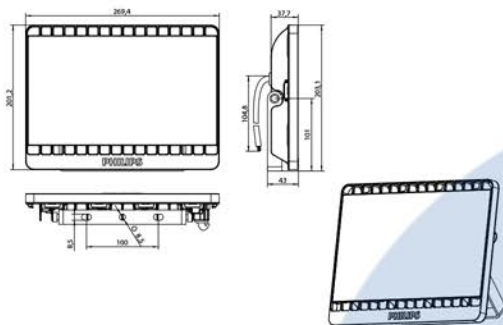
Product Data

Full product code 871016330431199
Order product name BVP161 LED43/NW 50W 220-240V WB GREY
EAN/UPC - Product 8710163304311
Order code 911401805498

Numerator - Quantity Per Pack 1
Numerator - Packs per outer box 8
Material Nr. (12NC) 911401805498
Net Weight (Piece) 1.200 kg



Dimensional drawing



BVP150/161 Essential Smartbright LED

