

PHILIPS

Lighting



Essential Smartbright LED

BVP161 LED39/WW 50W 220-240V WB GREY

Philips Essential SmartBright LED Floodlight not only ensures savings on initial capital, but also delivers reliable operational savings.

Product data

General Information		Optical cover/lens material	
Light source color	730 warm white	Optical cover/lens material	Polycarbonate
Driver included	Yes	Overall length	269.5 mm
Optical cover/lens type	Micro-lens optic in polycarbonate cover, wide	Overall width	201.5 mm
Control interface	-	Overall height	37.8 mm
Connection	Flying leads/wires	Color	Gray
Cable	Cable 0.3 m without plug	Approval and Application	
Protection class IEC	Safety class I	Ingress protection code	IP65 [Dust penetration-protected, jet-proof]
CE mark	CE mark	Mech. impact protection code	IK07 [2 J reinforced]
Spare parts available	No	Initial Performance (IEC Compliant)	
Operating and Electrical		Initial luminous flux (system flux)	3900 lm
Input Voltage	220-240 V	Luminous flux tolerance	+/-10%
Input Frequency	50 to 60 Hz	Initial LED luminaire efficacy	78 lm/W
Power Factor (Min)	0.9	Init. Corr. Color Temperature	3000 K
Controls and Dimming		Init. Color Rendering Index	>70
Dimmable	No	Initial input power	50 W
Mechanical and Housing		Power consumption tolerance	+/-10%
Housing Material	Aluminum die cast	Over Time Performance (IEC Compliant)	
Optic material	Polycarbonate	Median useful life L70B50	30000 h

Essential Smartbright LED

Application Conditions

Ambient temperature range -40 to +45 °C

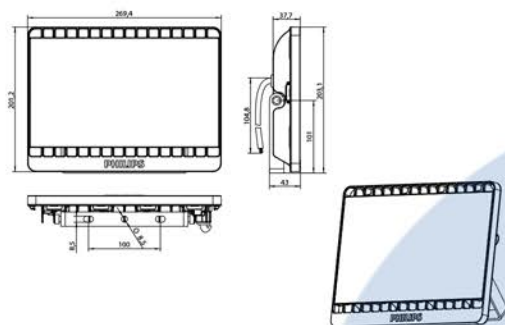
Product Data

Full product code 871016330429899
Order product name BVP161 LED39/WW 50W 220-240V WB GREY
EAN/UPC - Product 8710163304298
Order code 911401805898

Numerator - Quantity Per Pack 1
Numerator - Packs per outer box 8
Material Nr. (12NC) 911401805898
Net Weight (Piece) 1.200 kg



Dimensional drawing



BVP150/161 Essential Smartbright LED

