

PHILIPS**Lighting**

Meson Downlight

59441 MESON 080 3.5W 30K WH recessed TR

The Recessed Meson downlight offers complete range in terms of lumen output and sizes with reliable performance. Available in seven cutout sizes with three CCT options to suit different applications.

Product data

General information	
Light source color	830 warm white
Light source replaceable	No
Number of gear units	1 unit
Driver/power unit/transformer	Power supply unit
Driver included	Yes
Optic type	Wide beam
Luminaire light beam spread	110°
Cable	Cable without plug 2-pole
Protection class IEC	Safety class II
Glow-wire test	Temperature 650 °C, duration 30 s
Flammability mark	For mounting on normally flammable surfaces
CE mark	CE mark
Warranty period	1 years
Constant light output	No
EU RoHS compliant	Yes

Operating and electrical

Input Voltage	220 to 240 V
Input Frequency	50 or 60 Hz
Inrush time	0.2 ms
Power Factor (Min)	0.5

Controls and dimming

Dimmable	No
----------	----

Mechanical and housing

Housing Material	Plastic
Reflector material	-
Optic material	Polycarbonate
Optical cover/lens material	Polycarbonate
Fixation material	Steel
Optical cover/lens finish	Opal
Overall height	45.5 mm
Overall diameter	95 mm
Color	White
Dimensions (Height x Width x Depth)	46 x NaN x NaN mm

Approval and application

Ingress protection code	IP20 [Finger-protected]
Mech. impact protection code	IK03 [0.3 J]

Initial performance (IEC compliant)

Initial luminous flux (system flux)	235 lm
Luminous flux tolerance	+/-10%
Initial LED luminaire efficacy	67.00 lm/W
Init. Corr. Color Temperature	3000 K



Meson Downlight

Init. Color Rendering Index	80
Initial chromaticity	(IEC3000K, 0.44, 0.403) 6
Initial input power	3.5 W
Power consumption tolerance	+/-10%

Over time performance (IEC compliant)

Driver failure rate at 5000 h	5 %
Median useful life L70B50	15000 h

Application conditions

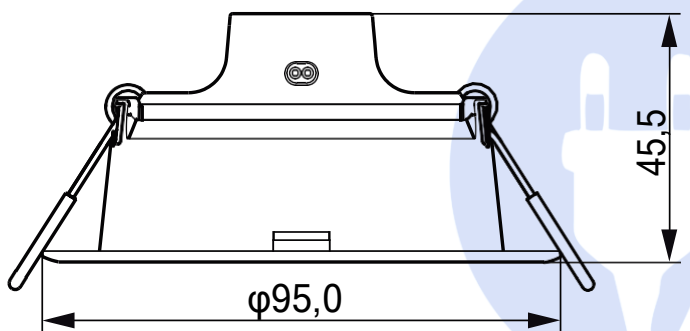
Ambient temperature range	-20 to +40 °C
Suitable for random switching	Not applicable

Product data

Full product code	871951441463100
Order product name	59441 MESON 080 3.5W 30K WH recessed TR
EAN/UPC - Product	8719514414631
Order code	929003191802
Numerator - Quantity Per Pack	1
Numerator - Packs per outer box	12
Material Nr. (12NC)	929003191802
Net Weight (Piece)	0.046 kg

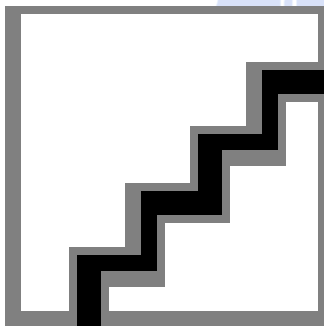


Dimensional drawing

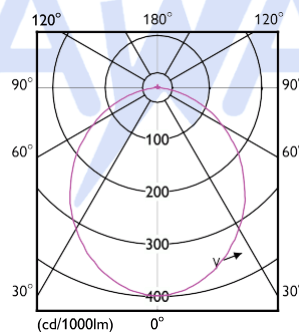


59441 MESON 080 3.5W 30K WH recessed TR

Photometric data



Downlight 59441 MESON 080 30K WH Recessed TR-GUL



Downlight 59441 MESON 080 30K WH Recessed TR-LDD



Meson Downlight

www.lighting.philips.com

2022, August 5 - data subject to change

