

PHILIPS

Lighting



Malaga SGS102

SGS102 SON-T150W II MR SKD 42/60

MALAGA, SON-T, 150 W, Moveable reflector, Universal for diameter 42 to 60 mm

Malaga is a versatile road-lighting luminaire. It offers modern styling and quality lighting for safe and comfortable driving, and for area illumination, with low investment and maintenance costs. The optical system has been designed to deliver good beam control and light output. Malaga provides optimal illuminance and good uniformity when the mounting height approximately equals the road width and the mast spacing is approximately 3.5 times the road width. It is suitable for post-top and side-entry mounting; a wall-mounting bracket is also available.

Product data

General Information		Operating and Electrical	
Lamp family code	SON-T [SON-T]	Input Voltage	230 to 240 V
Cap-Base	E40 [E40]	Power Consumption	150 W
Gear	CONV [Conventional]	Mechanical and Housing	
Photocell	-	Housing Color	Grey
Product family code	SGS102 [MALAGA]	Mounting device	Universal for diameter 42 to 60 mm
CE mark	Yes	Approval and Application	
ENEC mark	ENEC mark	Ingress protection code	IP43/65 [Wire-protected, rain/spray-proof; dust penetration-protected, jet-proof]
Light Technical		Mech. impact protection code	IK08 [5 J vandal-protected]
Standard tilt angle posttop	15°	Protection class IEC	Safety class II
Standard tilt angle side entry	15°		
Number of light sources	1		
Optical cover type	Polycarbonate bowl/cover		
Optic type outdoor	Moveable reflector		

Product Data

Order product name SGS102 SON-T150W II MR SKD 42/60

Datasheet, 2023, October 24

data subject to change

Malaga SGS102

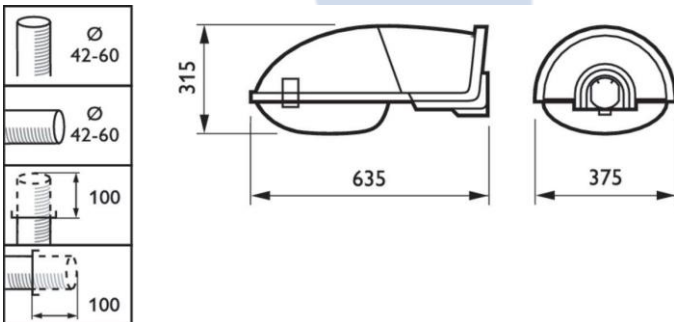
Full product name	SGS102 SON-T150W II MR SKD 42/60
Full product code	872790063464800
Order code	910925813812
Material Nr. (12NC)	910925813812
Numerator - Quantity Per Pack	1

EAN/UPC - Product/Case 8727900634648

Numerator - Packs per outer box

EAN/UPC - Case 8727900634648

Dimensional drawing



© 2023 Signify Holding All rights reserved. Signify does not give any representation or warranty as to the accuracy or completeness of the information included herein and shall not be liable for any action in reliance thereon. The information presented in this document is not intended as any commercial offer and does not form part of any quotation or contract, unless otherwise agreed by Signify. Philips and the Philips Shield Emblem are registered trademarks of Koninklijke Philips N.V.

www.lighting.philips.com 2023, October 24 - data subject to change