



# GreenPerform Highbay G3

**BY698P LED200/NW PSU WB RCA**

GreenPerform Highbay G3 - 840 neutral white

Following the successful introduction of the GreenPerform Highbay G2 in 2013, while continue providing the superior light quality, long service lifetime, reduced energy consumption and less maintenance in the switch on-off (PSU) and Dali dimmable (PSD) versions, the new generation Highbay seamlessly integrates state-of-the-art LED lighting with an easy-to-use and reliable wireless ZIGBEE control solution (ACW) and simple movement detection solution (PIR). ;In the ACW version products, when the situation on the work floor changes, settings such as dimming levels and timing can be changed wirelessly by the end-users themselves. Luminaires can be combined in groups across the layout, and re-zoning them does not require a hardware change, thus minimizing commissioning costs. The system delivers savings over and above the actual efficiency of the LEDs and is future-proof.;In the PIR version products, when there has no movement detected after 15 minutes, the lighting will dimming down to 25% of the lumen output, which helps to maximum your energy saving in a simple way. ;Easy to understand, easy to design-in, and easy to use, GreenPerform Highbay G3 is a smart way to light up your business.

## Product data

General information		Light source engine type	
Light source color	840 neutral white		LED
Optical cover/lens type	Lens	<b>Operating and electrical</b>	
Control interface	-	Input Voltage	220 to 240 V
Protection class IEC	Safety class I	Input Frequency	50 to 60 Hz
CE mark	CE mark	Power Factor (Min)	0.95

Number of products on MCB of 16 A type B 11

# GreenPerform Highbay G3

## Controls and dimming

Dimmable	No
----------	----

## Mechanical and housing

Housing Material	Aluminum die cast
Optical cover/lens material	Polyamide
Optical cover/lens finish	Frosted
Color	Aluminum and gray

## Approval and application

Ingress protection code	IP65 [ Dust penetration-protected, jetproof]
Mech. impact protection code	IK07 [ 2 J reinforced]

## Initial performance (IEC compliant)

Initial luminous flux (system flux)	20000 lm
Luminous flux tolerance	+/-10%
Initial LED luminaire efficacy	130 lm/W

Init. Corr. Color Temperature	4000 K
Init. Color Rendering Index	>80
Initial input power	155 W
Power consumption tolerance	+/-10%

## Application conditions

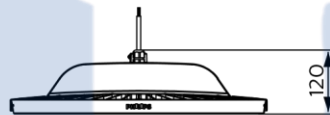
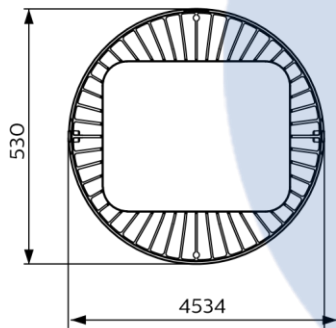
Ambient temperature range	-30 to +45 °C
---------------------------	---------------

## Product data

Full product code	911401553461
Order product name	BY698P LED200/NW PSU WB RCA
Order code	911401553461
Numerator - Quantity Per Pack	1
Numerator - Packs per outer box	1
Material Nr. (12NC)	911401553461



## Dimensional drawing



BY698P LED200/NW PSU WB RCA

© 2022 Signify Holding All rights reserved.  
 Signify does not give any representation or warranty as to the accuracy or completeness of the information included herein and shall not be liable for any action in reliance thereon. The information presented in this document is not intended as any commercial offer and does not form part of any quotation or contract, unless otherwise agreed by Signify. Philips and the Philips Shield Emblem are registered trademarks of Koninklijke Philips N.V.  
[www.lighting.philips.com](http://www.lighting.philips.com) 2022, July 1 - data subject to change

