



# GreenPerform Highbay G3

**BY698P LED160/NW PSU WB L3000 EN**

GreenPerform Highbay G3 - 840 neutral white - Power supply unit - Wide beam

Following the successful introduction of the GreenPerform Highbay G2 in 2013, while continue providing the superior light quality, long service lifetime, reduced energy consumption and less maintenance in the switch on-off (PSU) and Dali dimmable (PSD) versions, the new generation Highbay seamlessly integrates state-of-the-art LED lighting with an easy-to-use and reliable wireless ZIGBEE control solution (ACW) and simple movement detection solution (PIR). ;In the ACW version products, when the situation on the work floor changes, settings such as dimming levels and timing can be changed wirelessly by the end-users themselves. Luminaires can be combined in groups across the layout, and re-zoning them does not require a hardware change, thus minimizing commissioning costs. The system delivers savings over and above the actual efficiency of the LEDs and is future-proof.;In the PIR version products, when there has no movement detected after 15 minutes, the lighting will dimming down to 25% of the lumen output, which helps to maximum your energy saving in a simple way. ;Easy to understand, easy to design-in, and easy to use, GreenPerform Highbay G3 is a smart way to light up your business.

## Product data

General information		Optic type	Wide beam
Light source color	840 neutral white	Optical cover/lens type	Polycarbonate bowl/cover
Light source replaceable	No	Luminaire light beam spread	100°
Number of gear units	1 unit	Control interface	-
Driver/power unit/transformer	Power supply unit	Connection	Flying leads/wires
Driver included	Yes	Cable	Cable 3.0 m without plug

# GreenPerform Highbay G3

Protection class IEC	Safety class I
Glow-wire test	Temperature 650 °C, duration 5 s
Flammability mark	For mounting on normally flammable surfaces
CE mark	CE mark
Warranty period	3 years
Constant light output	No



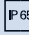


LED	Median useful life L70B50	50000 h
Yes	Median useful life L80B50	40000 h
	Median useful life L90B50	30000 h

## Application conditions

220 to 240 V	Ambient temperature range	-30 to +50 °C
50 to 60 Hz	Suitable for random switching	No
46 A		
0.44 ms		
0.95		

## Product data

	Full product code	911401845899
	Order product name	BY698P LED160/NW PSU WB L3000 EN
No	Order code	911401845899
	Numerator - Quantity Per Pack	1
	Numerator - Packs per outer box	1
	Material Nr. (12NC)	911401845899

Aluminum die cast	    
Polycarbonate	
Polycarbonate	
Clear	
105 mm	
417 mm	
Dark gray	

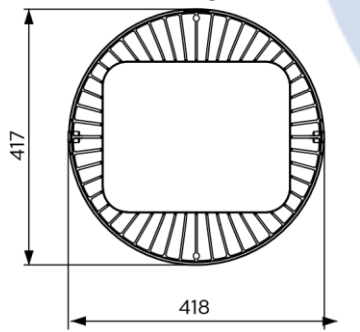
IP65 [ Dust penetration-protected, jetproof]

**Initial performance (IEC compliant)**

Initial luminous flux (system flux)	16000 lm
Luminous flux tolerance	+/-10%
Initial LED luminaire efficacy	133 lm/W
Init. Corr. Color Temperature	4000 K
Init. Color Rendering Index	>80
Initial chromaticity	(0.38,0.38)SDCM<5
Initial input power	120 W
Power consumption tolerance	+/-10%

**Over time performance (IEC compliant)**

Number of products on MCB of 16 A type B 11

**Dimensional drawing**

BY698P LED160/NW PSU WB L3000 EN

## GreenPerform Highbay G3

© 2022 Signify Holding All rights reserved.  
Signify does not give any representation or warranty as to the accuracy or completeness of the information included herein and shall not be liable for any action in reliance thereon. The information presented in this document is not intended as any commercial offer and does not form part of any quotation or contract, unless otherwise agreed by Signify. Philips and the Philips Shield Emblem are registered trademarks of Koninklijke Philips N.V.

[www.lighting.philips.com](http://www.lighting.philips.com) 2022, June 27 - data subject to change

