

Easy PDU, Basic, ZeroU, 32A, 230V, (21) SCHUKO; IEC309

EPDU1132B-SCH



EPDU1116B-SCH



EPDU1132B-SCH

Worldwide Customer Support

Customer support for this product is available at www.apc.com

© 2021 APC by Schneider Electric. APC and NetShelter are trademarks owned by Schneider Electric SE. All other trademarks are property of their respective owners.

990-6253A

10/2021

Overview

This sheet provides installation information for your Easy PDU. Read the instructions carefully.

Receiving

Inspect the package and contents for shipping damage. Make sure all parts were sent. Immediately report any shipping damage to the shipping agent. Report missing contents, product damage, or other problems with the product to APC by Schneider Electric or your APC by Schneider Electric reseller.

Material recycling

The shipping materials are recyclable. Please save them for later use, or dispose of them.

Overview

Lead time Usually in Stock

Physical

Cable length 3.00 m

Colour Black

Depth 4.44 cm

Height 150.6 cm

Net weight 4.3 kg

Width 6.2 cm

Output

Number of power socket outlets 21 Schuko CEE 7

Conformance

Product certifications CE TÜV

General

Provided equipment Installation guide
Toolless mounting kit
Vertical mounting brackets

Input

Input current limits 32 A

Load capacity 7360 VA

Network frequency 50/60 Hz

Plug standard IEC 60309 32 A 2P + E

Input voltage 200 V
208 V
230 V

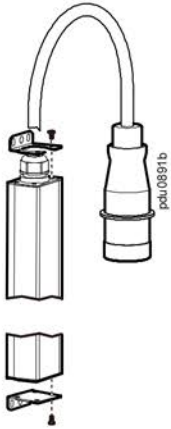
Environmental

Ambient air temperature for operation -5...45 °C

Fabriqué par :

Site web : www.aljawad.ci | Email : aljawad@aljawad.ci

(+225) 27 21 25 35 27

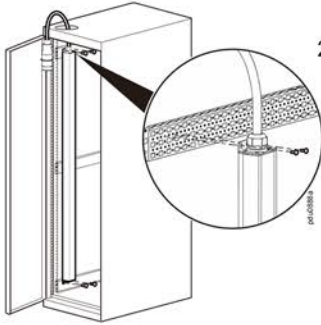


Installation

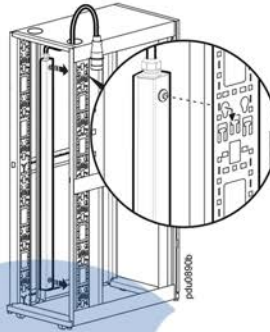
Mount the Rack PDU vertically in an Easy rack or any standard EIA-310 rack.

Option 1 - Vertical Installation with Brackets

1. Install the two (2) brackets to the Rack PDU with the screws provided.



2. Install the PDU to the rack with the provided four (4) M5x10mm self tapping screws.



Option 2 - Toolless Mounting Pegs

The mounting pegs of the Rack PDU are installed at the factory. Slide both mounting pegs into the holes located in the channel in the rear panel of the rack. Snap the Rack PDU into place by pushing it downward until it locks into position.

NOTE: When installing the Rack PDU, ensure that the power cord plug is accessible and that it is connected to a grounded outlet.

Specifications

	EPDU1116B-SCH	EPDU1132B-SCH
Electrical		
Nominal Input Voltage	200 - 240 VAC 1 PHASE	
Maximum Input Current (Phase)	16A	32A
Input Frequency	50/60Hz	
Input Connection	SCHUKO 16A	IEC 309 32A 2P+E
Output Voltage	200 - 240 VAC 1 PHASE	
Output Connections	DIN49440-SCHUKO (14) Max. output current 16A	Bank1: DIN49440-SCHUKO (10) Max. output current 16A Bank2: DIN49440-SCHUKO (11) Max. output current 16A
Circuit Breakers	None	Two (2) 16A 1-pole hydraulic-magnetic circuit breakers
Physical		
Dimensions (H x W x D)	902 x 62 x 44.4 mm (35.5 x 2.44 x 1.74 in)	1506 x 62 x 44.4 mm (59.29 x 2.44 x 1.74 in)
Input power cord length	3 m (9.8 ft)	
Shipping dimensions (H x W x D)	1320 x 160 x 110 mm (52.0 x 6.30 x 4.33 in)	1660 x 160 x 110 mm (65.35 x 6.30 x 4.33 in)
Weight/Shipping weight	1.94 kg (4.27 lb)/ 2.84 kg (6.26 lb)	4.3 kg (9.47 lb)/ 5.5 kg (12.12 lb)
Environmental		
Maximum elevation (above MSL) Operating/Storage	0-3000 m (0-10,000 ft) / 0-15000 m (0-50,000 ft)	
Temperature: Operating/Storage	-5 to 45°C (23 to 113°F)/ -25 to 65°C (-13 to 149°F)	
Humidity: Operating/Storage	5-95% RH, non-condensing	
Compliance		
EMC verification	CE EN55035, EN55032, EN55024	
Safety verification	CE, TUV, EAC, KC, UKCA, EN/IEC62368-1	
CE EU Contact Address	Schneider Electric, 35 rue Joseph Monier 92500 Rueil Malmaison, France	
Environmental	RoHS & Reach	

Life Support Policy

General policy

APC by Schneider Electric does not recommend the use of any of its products in the following situations:

- In life-support applications where failure or malfunction of the APC by Schneider Electric product can be reasonably expected to cause failure of the life-support device or to affect significantly its safety or effectiveness.
- In direct patient care.

APC by Schneider Electric will not knowingly sell its products for use in such applications unless it receives in writing assurances satisfactory to APC by Schneider Electric that (a) the risks of injury or damage have been minimized, (b) the customer assumes all such risks, and (c) the liability of APC by Schneider Electric is adequately protected under the circumstances.

Examples of life-support devices

The term *life-support device* includes but is not limited to neonatal oxygen analyzers, nerve stimulators (whether used for anesthesia, pain relief, or other purposes), autotransfusion devices, blood pumps, defibrillators, arrhythmia detectors and alarms, pacemakers, hemodialysis systems, peritoneal dialysis systems, neonatal ventilator incubators, ventilators (for adults and infants), anesthesia ventilators, infusion pumps, and any other devices designated as "critical" by the U.S. FDA.

Hospital-grade wiring devices and leakage current protection may be ordered as options on many APC by Schneider Electric UPS systems. APC by Schneider Electric does not claim that units with these modifications are certified or listed as hospital-grade APC by Schneider Electric or any other organization. Therefore these units do not meet the requirements for use in direct patient care.

Radio frequency interference

Changes or modifications to this unit not expressly approved by the party responsible for compliance could void the user's authority to operate this equipment.

Fabriqué par :

Site web : www.aljawad.ci | Email : aljawad@aljawad.ci

(+225) 27 21 25 35 27