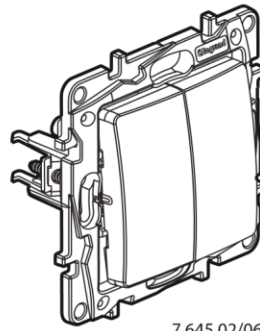
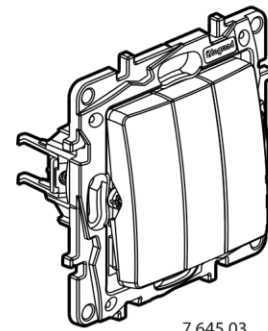

 7 645 00/01
7 646 00/01

 7 645 02/06
7 646 02/06

 7 645 03
7 646 03

1. USE

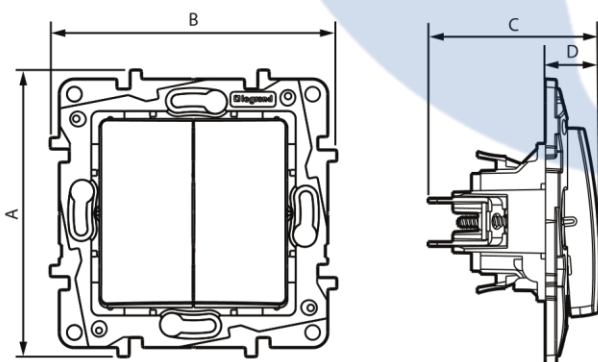
Lighting control mechanisms.
Supplied with rockers and support frames.
To be equipped with one-gang or multi-gang plates.
Flush or surface mounting.
Fixing with screws or/and claws.

2. RANGE

SWITCHES AND 2-WAY SWITCHES 10 AX - 250 V~ - with claws

Description	White	Ivory
Switch	7 645 00	7 646 00
Two-way switch	7 645 01	7 646 01
Double two-way switch	7 645 02	7 646 02
Three one-way switch	7 645 03	7 646 03
Intermediate switch	7 645 04	7 646 04
Double commutateur	7 645 05	7 646 05
Double switch	7 645 06	7 646 06

3. DIMENSIONS (mm)



References	A	B	C	D
7 645 00/01/04 - 7 646 00/01/04	76	76	45.5	14.5
7 645 03 - 7 646 03	76	76	43.5	16
7 645 02/05/06 - 7 646 02/05/06	76	76	60	14.5

4. CONNEXION

Type of terminals: automatics
Terminal capacity: 2 x 2.5 mm²
Stripping length: 13 mm
Compatible with flexible or rigid cables.

5. TECHNICAL CHARACTERISTICS

■ 5.1 Mechanical characteristics

Protection against solid bodies and liquids: IP20
Protection against impacts: IK 04

■ 5.2 Material characteristics

Polyglass appearance
Colour: - White RAL 9003
- Ivory RAL 1013
Material: - Mechanism housing: PC
- Rocker plate: ABS
- Halogen free
- UV resistant
- Claws: steel

Material of the support:

- PC grey RAL 7037
- PC grey RAL 7037 + 10 % glass fiber for Cat. Nos 7 64x 03/04
- Halogen free

Self-extinguishing:

+ 850° C / 30 s for insulating parts holding live parts in place.
+ 650° C / 30 s for other parts made of insulating materials.

■ 5.3 Electrical characteristics

Voltage: 250 V~
Current: 10 AX
Frequency: 50/60 Hz
Maximum power on integrated ballast lamps: 100 W

■ 5.4 Climatic characteristics

Storage temperature: - 10° C to + 70° C
Use temperature: - 5° C to + 35° C

6. MAINTENANCE

Surface cleaning with a cloth.

Do not use: acetone, tar remover, trichloroethylene.

Maintenance with the following products: Hexane (EN 60669-1), Methylated spirit, Soapy water, Diluted ammonia, Bleach diluted to 10%, Window-cleaning products.

Caution: A preliminary test should be carried out if other specific cleaning products are to be used.

7. STANDARDS AND APPROVALS

Compliant with installation and manufacturing standards.

See e-catalogue.

