



ABB Transformers, Egypt
Engineering Department

EGTRA/TEC/01/02

Technical Data Sheet

Client Name : ABB Côte d'Ivoire

Registration Number: EX-15-069

Tender/Quotation :

Required Date : 11/11/2015

Order/Production : _

Required Date : _

No	Quantity	Guaranteed Figures	
0	Type, oil - immersed or dry-type	Oil – Immersed	
1	Installation indoor or outdoor	Outdoor	
2	Rated power kVA	50 KVA	
3	Rated primary voltage kV	33 KV	
4	Number of taps and voltage % for off – circuit regulation (mark req.)	• For all primary voltages.	+ 2 x 2.5 % / -2 x 2.5 %
Optional accessories mark if required.			
5	Bi – directional rollers		
6	Dial-type thermometer	•	
7	Oil level gauge	•	
8	Pressure relief device	•	
The following quantities may be stated in they deviate from our standard. If no statement is given we assume that our standard is required and accepted			
9	Rated secondary voltage at no load V	410 V	
10	Frequency	50 Hz	
11	Connection and vector group	Yzn11	
12	Number of phases	3 phase	
13	Ambient temperature max	40 °C	
14	Temperature rise top oil	60 K	
15	Temperature rise average winding	65 K	
16	Altitude m (max)	max 1000 m	
17	SC -impedance voltage %, at 75 °C	4.5	
18	No load losses in Watt	260	
19	Load losses in Watt, at 75 °C	1450	
20	Protection of terminals	IP00 Porcelain bushings (LV side bushings)	
21	Oil filling	Mineral oil according IEC 296	
22	Type of oil – sealing	Hermetically sealed	
23	Parallel operation with other Transf.	-	
24	Standard	IEC-76	
25	Other quantities and remarks	-	
26	Over All Dimensions. approx. Length x Width x Height (mm)	1227x830x1440	
27	Oil Weight, approx. (Kg)	177	
28	Total Weight, approx. (Kg)	590	

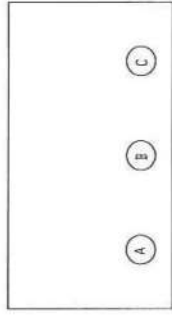
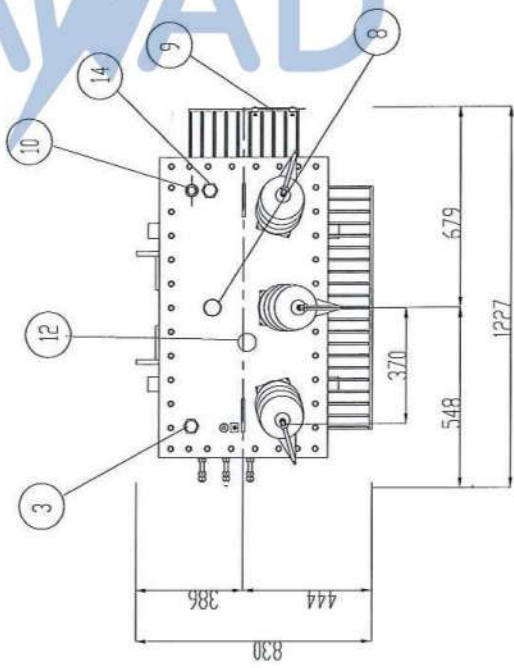
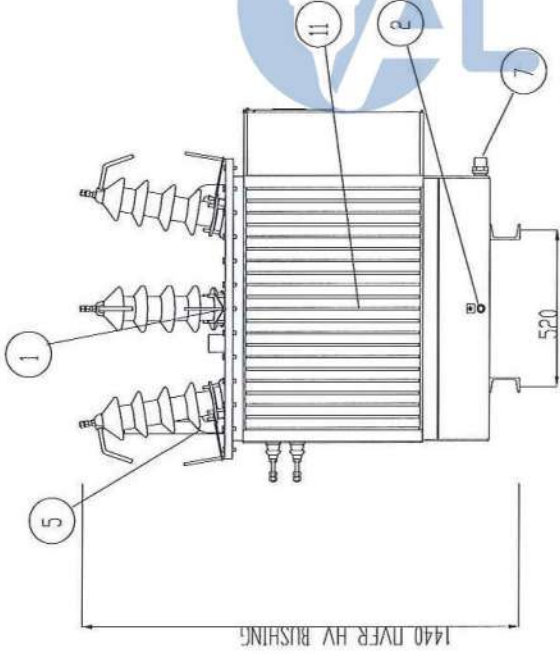
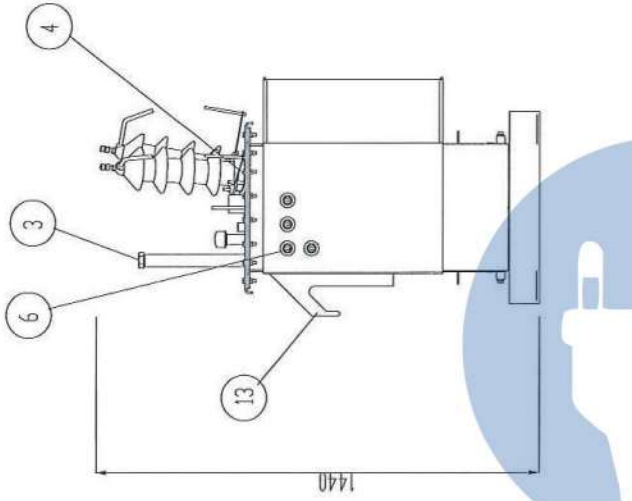
HV Copper- LV copper

Issued by: Name: Hassan Refaat Abdel-Aziz

Distribution: Sales: (For T/Q & O/P)

Description

- 1 - COVER
- 2 - EARTHING TERMINAL
- 3 - FILLING PIPE
- 4 - HV BUSHINGS DT30NF/250A Acc. DIN42531
- 5 - LIFTING LUG
- 6 - LV BUSHINGS DT1/250A Acc. DIN42530
- 7 - OIL DRAIN DEVICE
- 8 - PRESSURE RELIEF DEVICE
- 9 - RATING PLATE
- 10 - DIAL TYPE THERMOMETER
- 11 - TRANSFORMER TANK
- 12 - TAP CHANGER HANDLE
- 13 - POLE MOUNTED BRACKET
- 14 - OIL LEVEL GAUGE



50 kVA - 33000/410 Volts		Yzn11
APPROXIMATE MASSES (kg)		
OIL MASS (kg)	OIL VOLUME (LITER)	TOTAL MASS
177	199	227
		590

Prep. HRA, 11/11/2015	Resp. dept.	CUSTOMER OUTLINE	
App. A. M. 11/11/2015	takeover dept.	Scale	suffix
Rev. -	Rev. App.	Doc. No.	TDC-50-36XFBF
ABB Distribution Transformers		Sheet	11FG554047

Tolerance in weights and dimensions is $\pm 10\%$