



ABB Transformers, Egypt

Engineering Department

EGTRA/TEC/01/02

Technical Data Sheet

Client Name : ABB Côte d'Ivoire

Registration Number: EX-15-069

Tender/Quotation :

Required Date : 11/11/2015

Order/Production : _

Required Date : _

No	Quantity	Guaranteed Figures
0	Type, oil - immersed or dry-type	Oil - immersed
1	Installation indoor or outdoor	Outdoor
2	Rated power kVA	100 KVA
3	Rated primary voltage KV	15 KV
4	Number of taps and voltage % for off - circuit regulation (mark req.)	For all primary voltages. +2 x 2.5 % / -2 x 2.5 %
Optional accessories mark if required.		
5	Bi - directional rollers	
6	Dial-type thermometer	
7	Oil level gauge	
8	Pressure relief device	
The following quantities may be stated in they deviate from our standard. If no statement is given we assume that our standard is required and accepted		
9	Rated secondary voltage at no load V	410 V
10	Frequency	50 Hz
11	Connection and vector group	Dyn11
12	Number of phases	3 phase
13	Ambient temperature max	40 °C
14	Temperature rise top oil	60 K
15	Temperature rise average winding	65 K
16	Altitude m (max)	max 1000 m
17	SC -impedance voltage %, at 75 °C	4
18	No load losses in Watt	390
19	Load losses in Watt, at 75 °C	1800
20	Protection of terminals	IP00 Porcelain bushings (LV side bushings)
21	Oil filling	Mineral oil according IEC 296
22	Type of oil - sealing	Hermetically sealed
23	Parallel operation with other Transf.	-
24	Standard	IEC-76
25	Other quantities and remarks	-
26	Over All Dimensions, approx. Length x Width x Height (mm)	1150x750x1265
27	Oil Weight, approx. (Kg)	142
28	Total Weight, approx. (Kg)	600

HV Copper- LV copper

Issued by: Name: Hassan Refaat Abdel-Aziz

Distribution: Sales: (For T/Q & O/P)

Signature:

Hassan Refaat

Date:

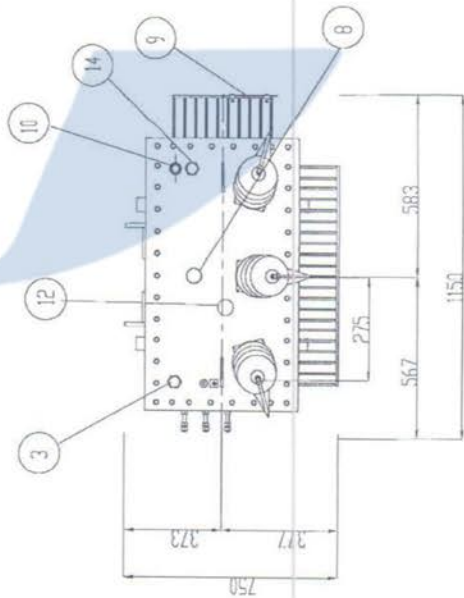
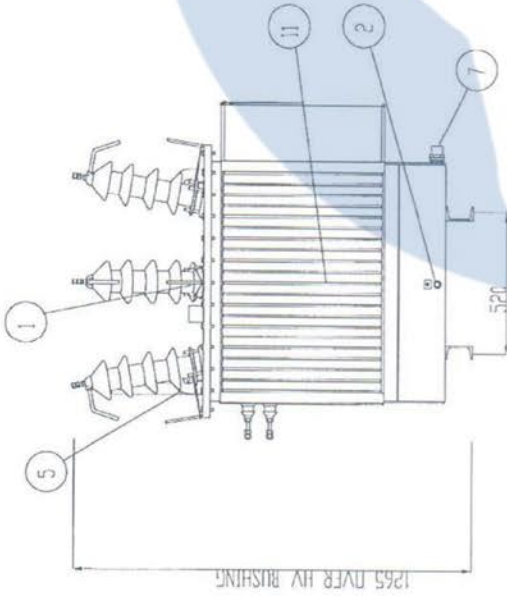
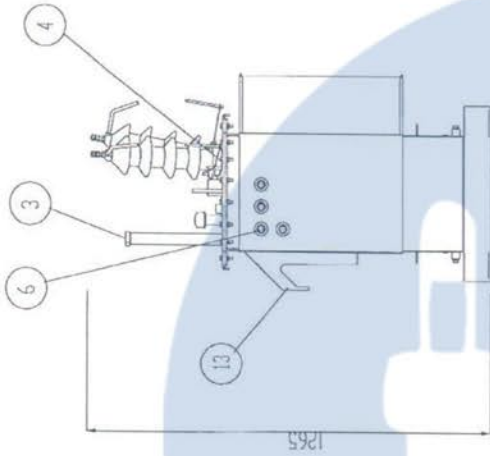
11/11/2015

A. Mejk

ABB Technology SA
Zone 4 Rue du Canal
01 B. P. 1048 - ABIDJAN 01

Description

- 1 - COVER
- 2 - EARTHING TERMINAL
- 3 - FILLING PIPE
- 4 - HV BUSHINGS D120NF/250A Acc. DIM4233
- 5 - LIFTING LUG
- 6 - LV BUSHINGS D11/250A Acc. DIM42530
- 7 - OIL DRAIN DEVICE
- 8 - PRESSURE RELIEF DEVICE
- 9 - RATING PLATE
- 10 - DIAL TYPE THERMOMETER
- 11 - TRANSFORMER TANK
- 12 - TAP CHANGER HANDLE
- 13 - POLE MOUNTED BRACKET
- 14 - OIL LEVEL GAUGE



100 kVA - 15000/410 Volts		Dyn11
APPROXIMATE MASSES (kg)		
OIL MASS (kg)	OIL VOLUME (LITER)	TOTAL MASS
142	156	600
ACTIVE PART MASS	262	

CUSTOMER OUTLINE

Prep. H. HRA	11/11/2015	Resp. dept.	
App. P. P. P.	11/11/2015	Recover dept.	
Rev. -		Rev. App.	
Scale		Scale	
Doc. No.		Doc. No.	
ABB Distribution Transformers		TTC=100-24X0SS	
		11FG66-4033	

Tolerance in weights and dimensions is $\pm 10\%$

ABB Technology SA
 Zone 4 Rue du Canal
 01 B. P. 1048 - ABIDJAN 01

We reserve all rights in this document and in the information contained therein. All rights are reserved. Reproduction or translation in any form without express authority is strictly forbidden. ABB Distribution Transformers